

190-491-190 36" Snow Thrower Attachment (1994)  
36" Snow Thrower Attachment

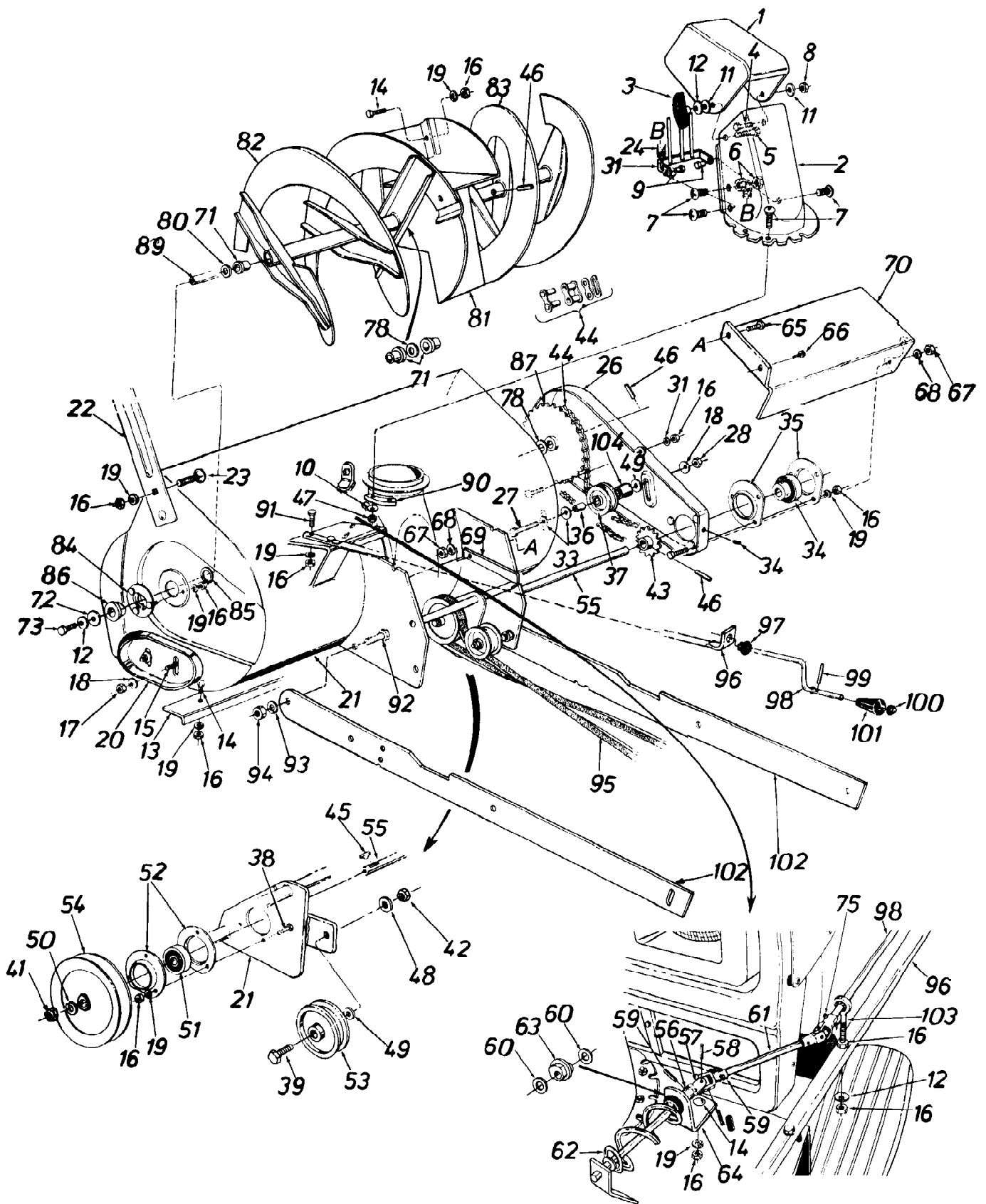
Page 2 of 6

Ref #	Part Number	Qty	S/P/F	Description
1	710-0299	1		Hex Bolt 1/4-28 x 1" Lg. Grade 5
2	736-0329	1	S/F	L-Wash. 1/4" I.D.
3	712-0138	1	S/F	Hex Nut 1/4-28 Thd.
4	712-0375	1	/P	Hex Cent. L-Nut 3/8-16 Thd.
5	756-0417	1	S	Idler Pulley
6	754-0299	1	S	"V"-Belt
7	712-0242	1	S	Hex Jam Nut 5/8-11 Thd.
8	736-0158	1	S/F	L-Wash. 5/8" I.D.
9	756-0216	1		Pulley .627" I.D. x 6.5" O.D.
10	738-0129	1		Shoulder Bolt
11	05826B	1		Channel Support Brkt. R.H.
12	05835	1		Linkage Brkt.
13	05836A	1		Linkage Arm Ass'y.
14	714-0101	1	S/F	Intern. Cotter Pin .5" Dia.
15	736-0192	1	S	FI-Wash.
16	710-0528	1	/P	Hex Bolt 5/16 x 1.25" Lg.
17	736-0169	1	S/F	L-Wash. 3/8" I.D.
18	712-0342	1	/P	Hex Jam Nut 3/8-16 Thd.
19	08253B	1	/P	Bearing Housing
20	736-0119	1	S/F	L-Wash. 5/16" I.D.
21	712-0267	1	S	Hex Nut 5/16-18 Thd.
22	05406	1	S	Belt Guard
23	714-0388	1	S	#Hi-Pro-Key 3/16" x 5/8" Dia.
24	738-0246	1		Pulley Spindle
25	756-0457	1		Pulley .628" I.D. x 5.56" O.D.
26	750-0503	1	S	Spacer .383" I.D. x .503"
27	732-0470A	1	S	Extension Spring 5.25" Lg.
28	738-0140	1	S	Shoulder Bolt
29	714-0111	1	S	Cotter Pin 3/32" Dia.
30	736-0300	1	S	FI-Wash. .385" I.D. x .87"
31	747-0533	1	S	Control Rod (Clutch)
32	711-0723	1	S	Ferrule
34	710-0198	1	S/F	Hex Sems Scr. 5/16-18 x .75" Lg.
35	05409A	1	S	Clutch Idler Brkt. Ass'y.
36	741-0919	1	S	Ball Bearing
37	05411B	1		Channel Ass'y.
38	738-0242	1		Lift Handle Shaft
40	710-0642	1	/P	Hex Self-Tap Scr. 1/4-20 x .75" Lg.
44	05827B	1	S	Channel Supporting Brkt. - L.H.
45	710-0253	1	S	Hex Bolt 3/8-16 x 1" Lg.
46	732-0146	1		Extension Spring
47	736-0119	1	S/F	L-Wash. 5/16" I.D.
48	712-0267	1	S/F	Hex Nut 5/16-18 Thd.
49	732-0323	1		Helper Spring
51	710-0959	1	/P	Hex Bolt 5/16-18 x 1.5" Lg. Special
52	736-0242	1	/P	Bell-Wash. .345" 1.0. x .88"
53	711-0509	1		Spring Insert
55	05933	1		Helper Spring Brkt.
59	736-0329	1	S/F	L-Wash. 1/4" I.D.
60	710-0836	1		J-Bolt 5/16-18 Thd.
62	754-0294	1	S	"V"-Belt
64	710-0427	1	S/F	Hex Bolt 3/8-16 x 2.0" Lg.
65	756-0417			

190-491-190 36" Snow Thrower Attachment (1994)  
36" Snow Thrower Attachment

Page 3 of 6

Ref #	Part Number	Qty	S/P/F	Description
66	750-0503	1	S	Spacer .385" I.D. x .503"
67	703-1292	1	S	Idler Arm Ass'y.
71	711-0242	1	S	Spacer .380" I.D.
72	750-0252	1	S	Spacer .3775" I.D.
73	736-0258	1	/P	Fl-Wash. 3/8" I.D. x 1" O.D.
76	710-0859	1	/P	Hex Bolt 3/8-16 x 2.5" Lg. (Grade 5)
77	756-0116	1	S	Idler Pulley .38" I.D. x 3.06" O.D.
78	711-0396	1	/P/F	Spacer .385" I.D. x .76" Lg.
79	07386	1	F	Fl-Wash. .39" I.D. x 1-3/4" O.D.
80	712-0287	1	S	Hex L-Nut 1/4-20 Thd.
81	712-0798	1	/P/F	Hex Nut 3/8-16 Thd.
82	747-0532	1	F	Clutch Control Rod
83	712-0241	1	/P/F	Hex Nut 3/8-24 Thd.
84	710-0331	1	/P/F	Hex Bolt 3/8-24 x 2.25" Lg.
85	712-0798	1	/P	Hex Nut 3/8-16 Thd.
86	736-0356	1	S	Bell-Wash. 3/8" I.D.
87	761-0195	1		Auger Brake Brkt. Ass'y.
88	710-0201	1		Hex Bolt 3/8-16 x 5/8" Lg.
?89	730-3000	1	S	Reflectors Not shown
90	747-0760	1		Belt Guard
91	710-0118	1	S/F	Hex Bolt 5/16-18 x .75" Lg.
	14632	1		Index Brkt. Hardened - Not shown
	14802A	1	S	Lift Link Not shown



190-491-190 36" Snow Thrower Attachment (1994)  
Chute Deflector

Page 5 of 6

Ref #	Part Number	Qty	S/P/F	Description
1	731-0846B	1	S	Upper Chute
2	731-0843B	1	S	Lower Chute
3	09966	1	S	Knob Handle Ass'y.
4	710-0323	1	/P	Truss Mach. Scr. 5/16-18 x .75" Lg.
5	710-0276	1	/P	Carriage Bolt 5/16-18 x 1" Lg.
6	712-0291	1	S	Hex Cent. L-Nut 5/16-18 Thd.
7	710-0255	1	S	Truss Mach. Scr. 1/4-20 x .75" Lg.
8	712-0158	1	S	Hex Cent. L-Nut 5/16-18 Thd.
9	738-0561	1	S	Shld. Nut 1/4-20 Thd.
10	736-0142	1	S	FI-Wash. 1/4" I.D.
11	736-0231	1	S	FI-Wash. .344" I.D. x 1.125"
12	736-0242	1	/P	Bell-Wash. .345" I.D. x .88"
13	05378	1	S	Shave Plate
14	710-0451	1	/P	Carriage Bolt 5/16-18 x .62" Lg.
15	710-0790	1	S	Carriage Bolt 3/8-16 x .62" Lg.
16	712-0267	1	S/F	Hex Nut 5/16-18 Thd.
17	712-0342	1	/P	Hex Jam Nut 3/8-16 Thd.
18	736-0105	1	/P	Bell-Wash. .40" I.D. x .88"
19	736-0119	1	S/F	L-Wash. 5/16" I.D.
20	784-5038A	1	S	Slide Shoe
21	784-5212	1		Spiral Hsg. Ass'y. - 36"
22	05139A	1	S	Guide Blade
23	710-0260	1	S	Carriage Bolt 5/16-18 x .62"
24	732-0118	1	S	Extension Spring
26	05379A	1		Chain Guard Ass'y.
27	710-0427	1	S/F	Hex Bolt 3/8-16 x 2" Lg.
28	712-0130	1	/P	Hex Ins. Nut 3/8-16 Thd.
31	784-5192	1	S	Chute Guard Ass'y.
33	736-0300	1	S	FI-Wash. .385" I.D. x .87" O.D.
34	741-0310	1	S	Ball Brg. .75" I.D.
35	741-0311	1	S	Flangette
36	750-0252	1	S	Spacer .375" I.D. x .60" O.D.
37	756-0358A	1		Flat Idler 1.875" Dia.
38	710-0198	1	S	Hex Sems Bolt 5/18 x .75" Lg.
39	710-0347	1	/P/F	Hex Bolt 3/8-16 x 1.75" Lg.
41	712-0301	1	/P	Hex Jam Nut 3/4-10 Thd.
42	712-0342	1	/P	Hex Jam Nut 3/8-16 Thd.
43	713-0188	1		Sprocket Ass'y. - 14 Teeth
44	713-0189	1		#420 Chain x 1/2" Pitch - 77 Links
	713-0154	1	S	Master Link
45	714-0388	1	S	061 Hi-Pro-Key 3/16 x 5/8"
46	715-0118	1	S	Spring Pin Spir. 5/16" Dia. x 1.75" Lg.
47	712-0107	1	S	Hex L-Nut 1/4-20 Thd.
48	736-0169	1	S/F	L-Wash. 3/8" I.D.
49	736-0235	1		FI-Wash. .406" I.D. x 1.25"
50	736-0367	1	S	Spr. L-Wash. 3/4" I.D.
51	741-0309	1	S	Self-Aligning Brg.
52	741-0311	1	S	Flangette
53	756-0417	1	S	Idler Pulley
54	756-0456	1		5/8 V-Pulley .75" I.D. x 6" O.D.
55	784-5077A	1		Drive Shaft Ass'y.
56	05066	1		Joint Brkt. Ass'y.
57	711-0584			

190-491-190 36" Snow Thrower Attachment (1994)  
Chute Deflector

Page 6 of 6

Ref #	Part Number	Qty	S/P/F	Description
58	728-0147	1		Oval Head Rivet
59	715-0129	1		Spiral Pin 1/8" Dia.
60	736-0140	1	S	FI-Wash. .385" I.D. x .62"
61	747-0523A	1		Chute Crank Ext. Rod
62	784-5084	1	/P	Chute Crank Ass'y. R.H.
63	741-0475	1	S	Plastic Bushing .38" I.D.
64	784-5085A	1	/P	Chute Crank Brkt.
65	710-0258	1	S/F	Hex Bolt 1/4-20 x .62" Lg.
66	710-0599	1	/P	Hex Wash. S-Tap Scr. 1/4-20 x .50" Lg.
67	712-0287	1	S/F	Hex Nut 1/4-20 Thd.
68	736-0329	1	S/F	L-Wash. 1/4" I.D.
69	784-5214	1		Belt Cover
70	784-5215	1		Drive Shaft Cover
71	741-0494	1		Plastic Bushing
72	07386	1		Washer .39" I.D. x 1.75" O.D.
73	710-0371	1	/P	Hex Bolt 5/16-18 x .88" Spec.
75	714-0507	1	S	Cotter Pin 3/32" Dia.
78	736-0163	1	S	FI-Wash. 1.03" I.D. x 1.62"
80	736-0250	1	/P	FI-Wash. 1" I.D. x 1.75"
81	784-5216	1	S	Rotor Paddle Ass'y.
82	784-5219	1	S	36" Spiral Ass'y. - L.H.
83	784-5220	1		36" Spiral Ass'y. - R.H.
84	05360	1		Bearing Hsg. Ass'y.
85	716-0121	1	S	Snap Ring for 1.5" Shaft
86	741-0170	1	S	Flange Brg, w/flats 1" I.D.
87	713-0177	1		Sprocket Hub Ass'y. 40 Teeth
89	738-0229	1		Spiral Axle
90	731-0851	1	S	Chute Flange Keeper
91	710-0442	1	S/F	Hex Bolt 5/16-18 x 1.5" Lg.
92	710-0474	1	/P/F	Hex Bolt 1/2-13 x 1.25" Lg.
93	736-0921	1	S/F	L-Wash. 1/2" I.D.
94	712-0206	1	S/F	Hex Nut 1/2-13 Thd.
95	754-0294	1	S	"V"-Belt
96	749-0675	1		Chute Crank Support Tubing
97	741-0475	1	S	Plastic Bushing
98	747-0438	1	S	Chute Crank 34.5" Lg.
99	715-0138	1	S	Roll Pin .12" Dia. x .63"
100	726-0100	1	S	Push Nut 3/8" Rod
101	720-0201A	1	/P	Knob Black
102	05836	1		Linkage Arm
103	747-0481A	1	/P	Eye Bolt 5/16-18 x 3" Lg.
104	741-0322	1		Idler Spacer